

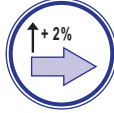
GOLDI_72GN Polycrystalline Module

GOLDITM
Renewed life

Key Features



Excellent module conversion efficiency of up to 17.57%.



Up to +2% positive power output guaranteed.



Reducing equipment loss increases the power generation in overall system.



Loss minimization due to excellent temperature co-efficient.



BOS cost reduction for 1500 VDC System by connecting more modules in a string.



Better performance even at low irradiance condition.

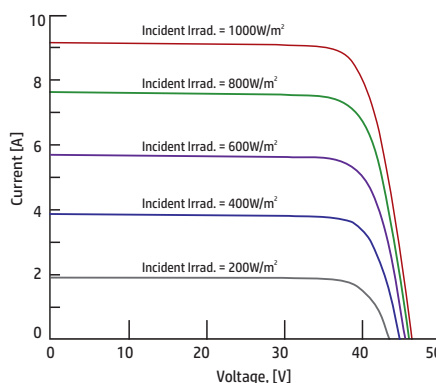


Higher specific yield.

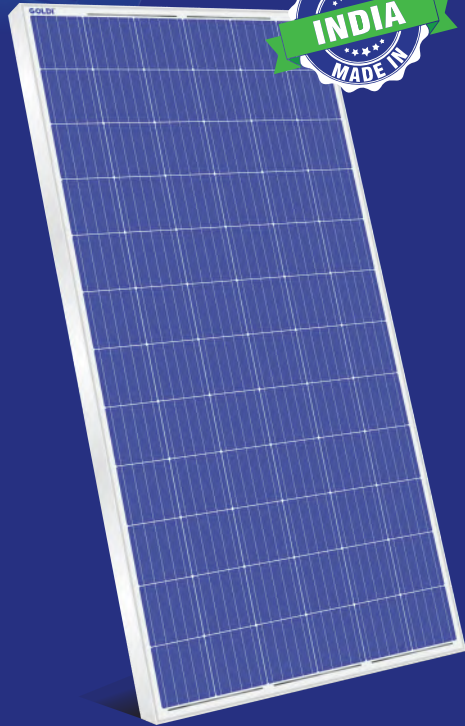
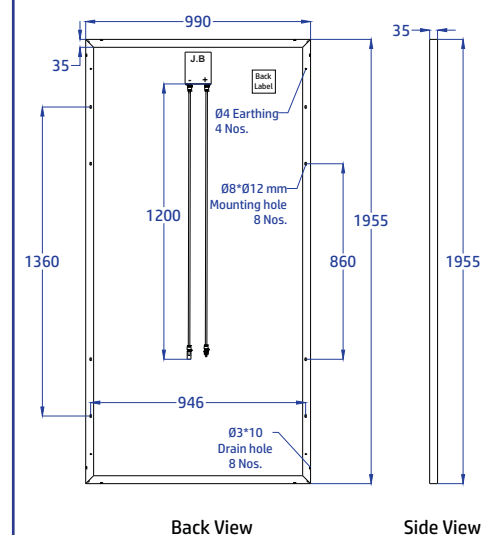
Quality & Reliability

- Manufactured in an ISO 9001:2015, ISO 14001:2015, ISO 45001:2018 certified facility.
- Manufactured using high grade raw materials from reputed suppliers while adopting stringent quality criteria.
- PID resistant.
- Salt mist and ammonia corrosion resistant.
- IP68 rated junction box for long-term weather endurance.
- 25 years output warranty.
- Certified for hail resistance.
- Certified with IEC & BIS.

I-V Curves



Engineering Drawing (mm)



Product warranty**



Performance warranty**

Limited warranty for power output:-
90% for 10 years and 80% for 25 years**

Product Certifications



Management System Certifications



ISO 9001, ISO 14001,
ISO 45001

Certificate Number 18976

- For handling & installation instructions refer Goldi Solar Installation Manual available on company website.
- Before placing order confirm your requirement with our sales representative.
- The electrical data given here is for reference purpose only.
- Dispose-off the product as E-Waste after end of its working life.
- ** Refer to Goldi Solar's warranty document for terms and conditions.
- Due to constant product modifications, Goldi Solar reserves the right to amend the above specifications without prior notice.

India Toll Free 1800 833 5511

info@goldisolar.com

www.goldisolar.com

GOLDI_72GN Polycrystalline Module

Technical Data

Electrical Parameter at STC

Module Type	GOLDI_72GN -Polycrystalline Module			
	GOLDI072FWpPY24			
Capacity rating - Pmax(Wp)	325	330	335	340
Power Tolerance (%)	0 - 2	0 - 2	0 - 2	0 - 2
Module efficiency (%)	16.79	17.05	17.31	17.57
Rated voltage - Vmp(V)	37.20	37.40	37.70	37.90
Rated current - Imp(A)	8.75	8.83	8.90	8.98
Open circuit voltage - Voc(V)	45.90	46.20	46.50	46.80
Short circuit current - Isc(A)	9.12	9.19	9.26	9.32

Under Standard Test Conditions (STC) of irradiance 1000 W/m, spectrum AM 1.5 and cell temperature of 25°C.
Except Pmax, all other parameters have a tolerance of ±3%.

Electrical Parameter at NOCT

Capacity rating - Pmax(Wp)	241.89	245.41	249.34	253.04
Rated voltage - Vmp(V)	34.44	34.63	34.91	35.14
Rated current - Imp(A)	7.02	7.09	7.14	7.20
Open circuit voltage - Voc	42.90	43.18	43.46	43.69
Short circuit current -Isc(A)	7.35	7.41	7.47	7.52

NOCT irradiance of 800 W/m, ambient temperature of 20°C, Wind speed 1m/sec

Mechanical specification

Solar cells	72 pcs Polycrystalline Silicon, 5BB
Encapsulation	Ultra - clear PID free EVA (Ethylene-Vinyl-Acetate)
Backside	UV protected reflective backsheet
Frame	Silver Anodized Aluminium Alloy (screwless)
Front glass	3.2 mm, High Transmission, AR Coated Tempered Glass
Dimensions	(L) 1955 mm x (W) 990 mm x (H) 35mm
Weight	21.5 kg
J-box	IP68 certified 4-rail, 3 diodes junction box
Cable	Solar cable 1200 mm length, 4 mm ²
Connectors	MC4 compatible connectors
Application Class	Class A
Electrical Safety	Class II
Fire Safety	Class C (Type 1)
Surface load	Snow load 5400 Pa, wind load 2400 Pa

Temperature Coefficients (TC)

Temperature Coefficient (Voc)	-0.30% /°C
Temperature Coefficient (Isc)	0.05% /°C
Temperature Coefficient (Pmax)	-0.38% /°C

Permissible Operating Conditions

Temperature range	-40°C to + 85°C
Maximum system voltage	1500/1000 VDC
NOCT	45±2°C
Hail resistance	Max. diameter of 25 mm with velocity 23 m/s
Max. Series Fuse Rating	15A

Warranty and Certifications

Product warranty**	10 years
Performance warranty**	Limited warranty for power output :- 90% for 10 years and 80% for 25 years
Product Certificates	IEC 61215, IEC 61730, IEC 61701, IEC 62716, IEC 62804, CE, BIS, UL 61730

Warranty Graph

